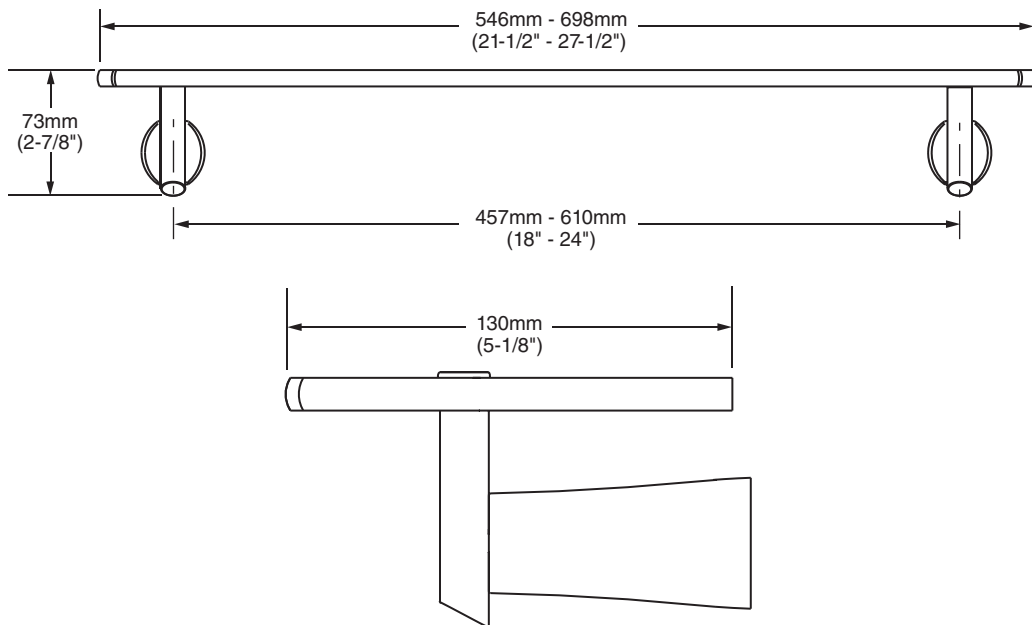


MODEL NUMBER:

- 7010.024 24" Glass Shelf
- 7010.018 18" Glass Shelf

Available Finishes

.002	Polished Chrome
.075	PVD Stainless Steel



PRODUCT FEATURES:

Materials of Construction: Highest quality materials for durability & long life.

Concealed Mounting: No exposed set screws.

Easy to Install

Durability of Finishes: Chrome and PVD finishes will never tarnish.

SUGGESTED SPECIFICATION:

Glass Shelf shall feature heavy-duty construction with tarnish - free PVD finish. Shall feature concealed mounting with no exposed set screws. Glass Shelf shall be clear tempered glass. Shall be American Standard Model # 7010.0___.___.